



# Assembly instructions

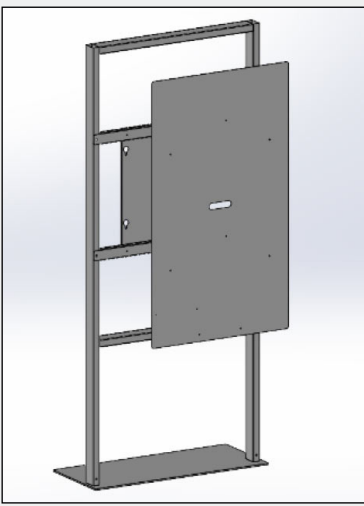
Floor stand - portrait

Ceiling casing - portrait

Ceiling casing - store window

Ceiling Mount Telescope

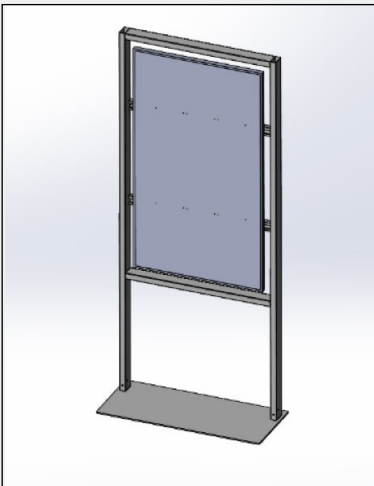
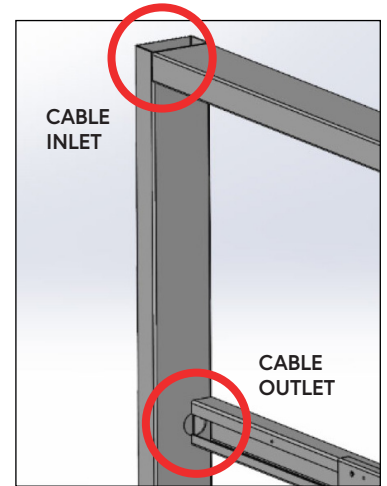
[www.mediascreen.nu](http://www.mediascreen.nu)



# Floor stand - portrait

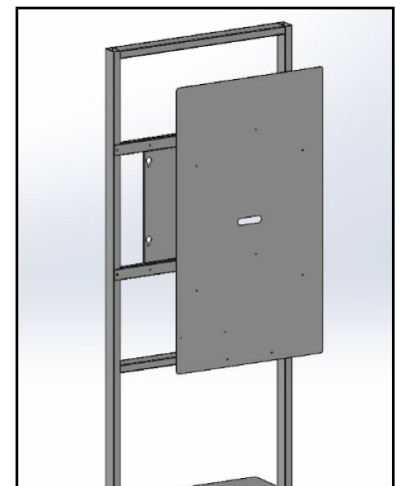
1. Remove backplate.

2. Prepare cable connection.



3. Install the display.

4. Mount the backplate



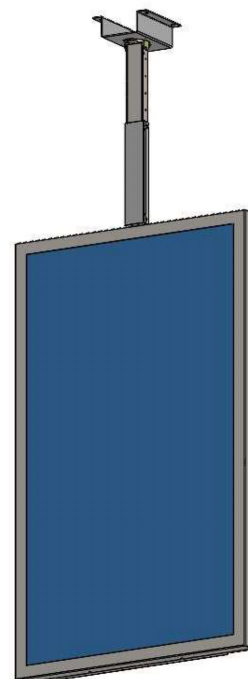
# Ceiling casing - portrait

Product nr: CC3200-5001  
CC4300-5001  
CC5012-5001  
CC5500-5001  
CC6500-5001

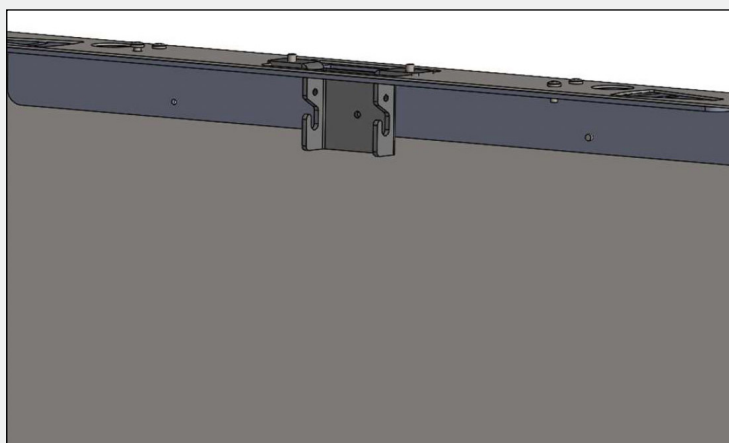
**Samsung (43, 50, 55,65)**  
S1 M8x35 (4x)



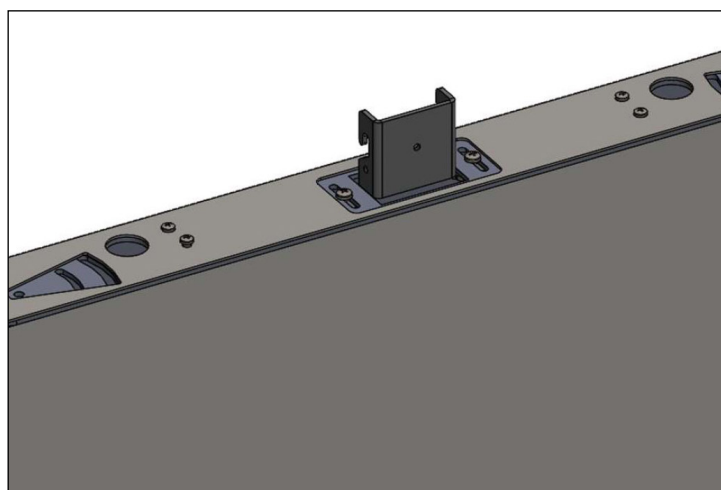
**LG (43, 55)**  
S2 M6x20 (4x)



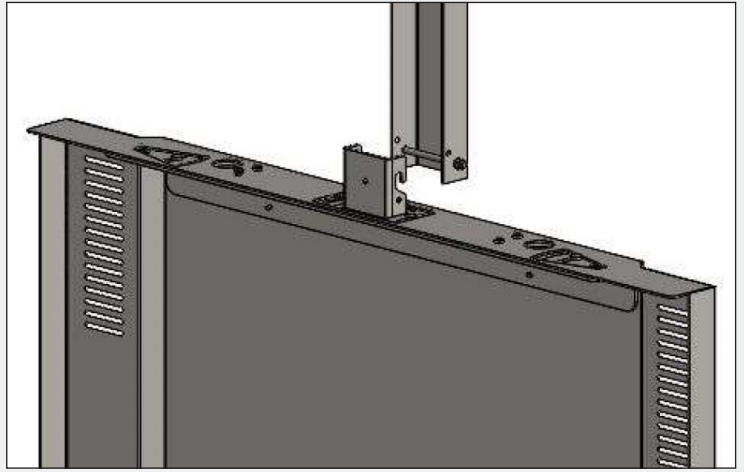
**1. Unscrew the ceiling mount knob located inside the housing.**



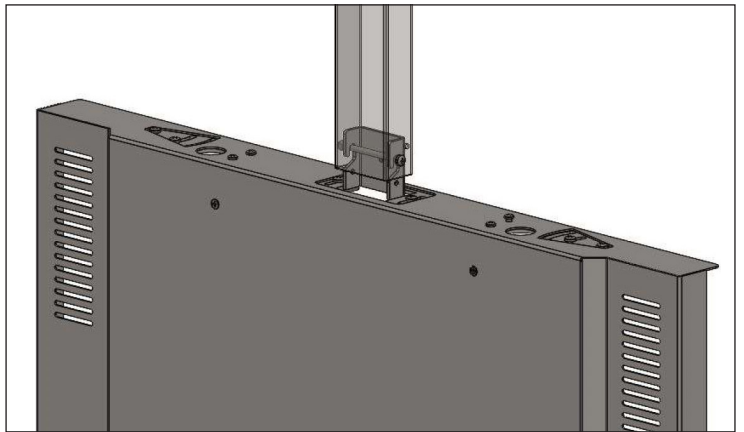
**2. Screw the knob as the image to the right.**



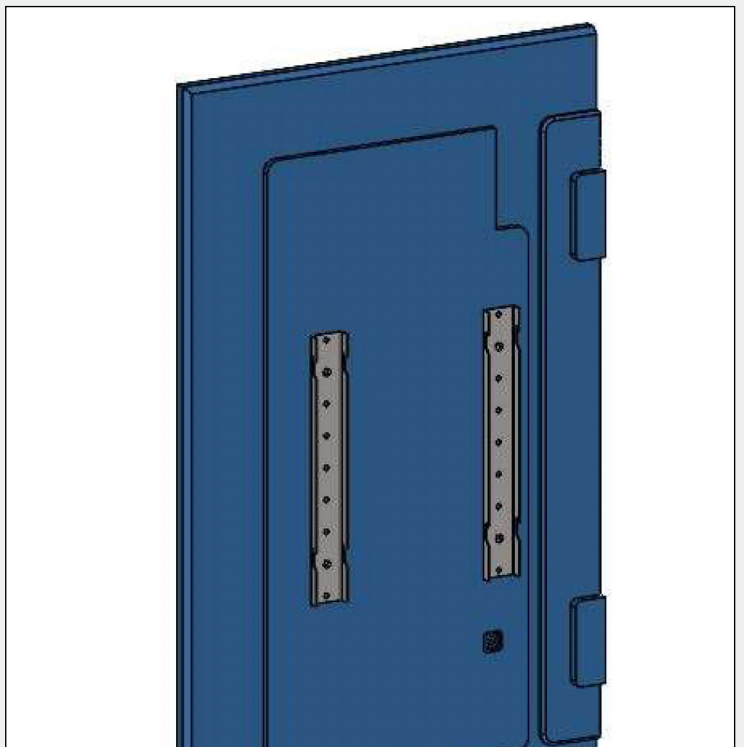
**3. Attach the backcover to the ceiling mount.**



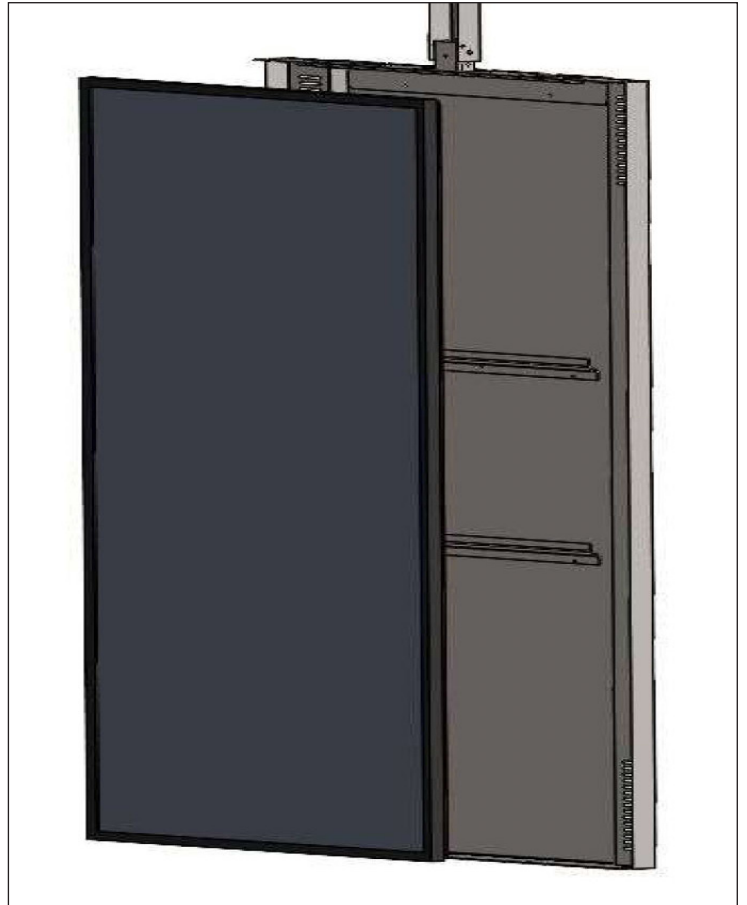
**4. Backcover attached to the ceiling mount.**



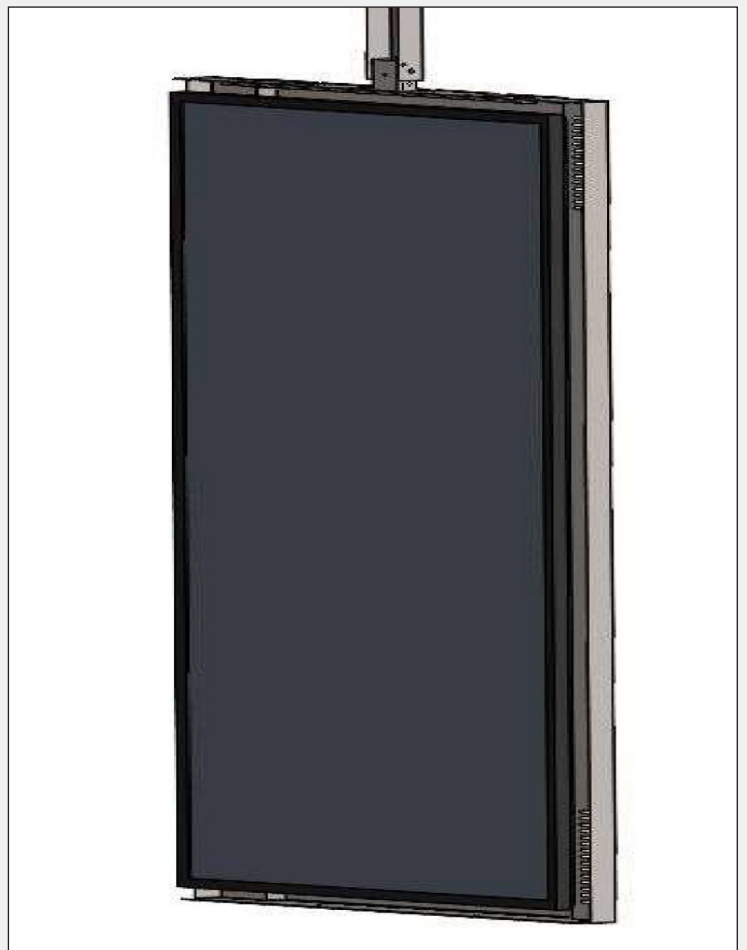
**5. Attach VESA mounts to the display backside.**



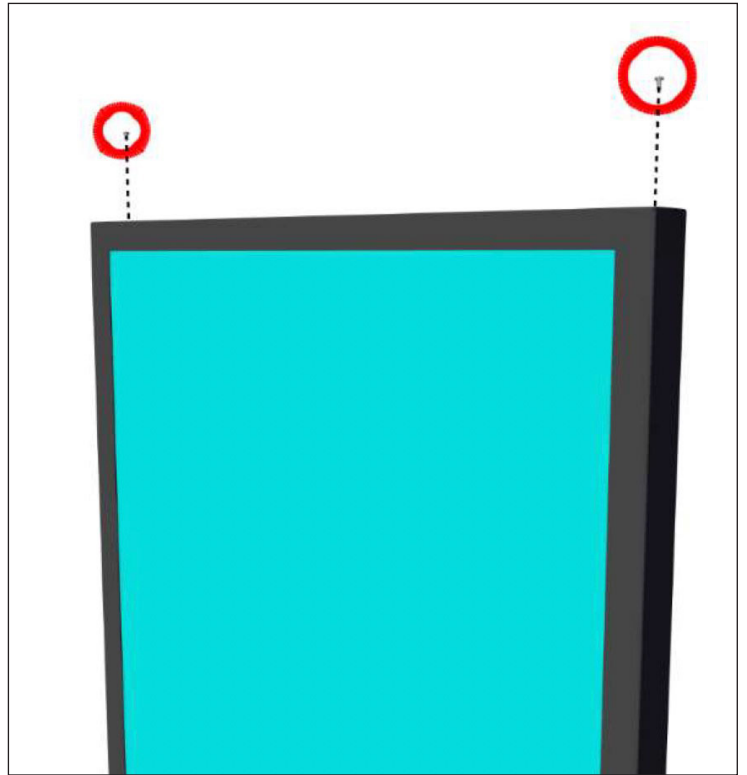
**6. Attach the display to the backcover.**



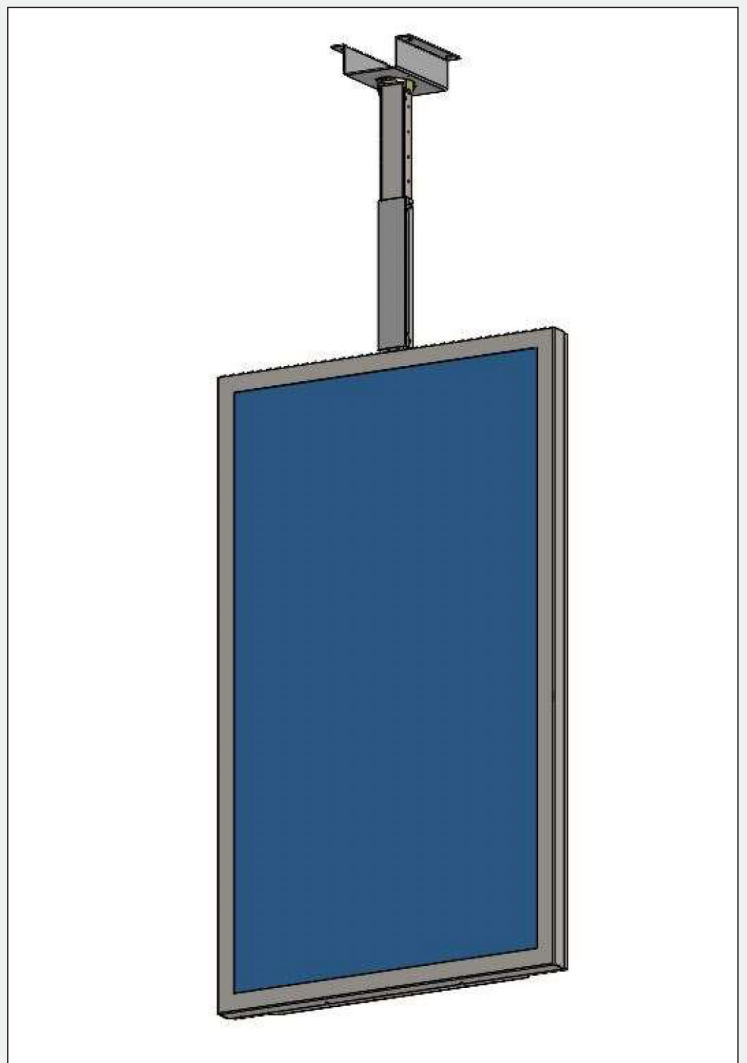
**7. Display attached.**



8. Attach the frontcover with M4 screws.

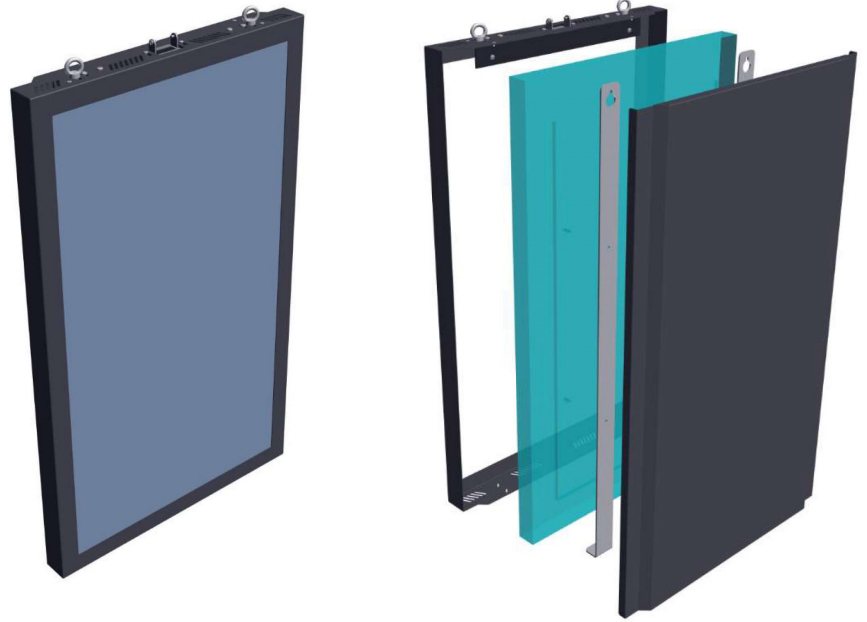


9. Finished!

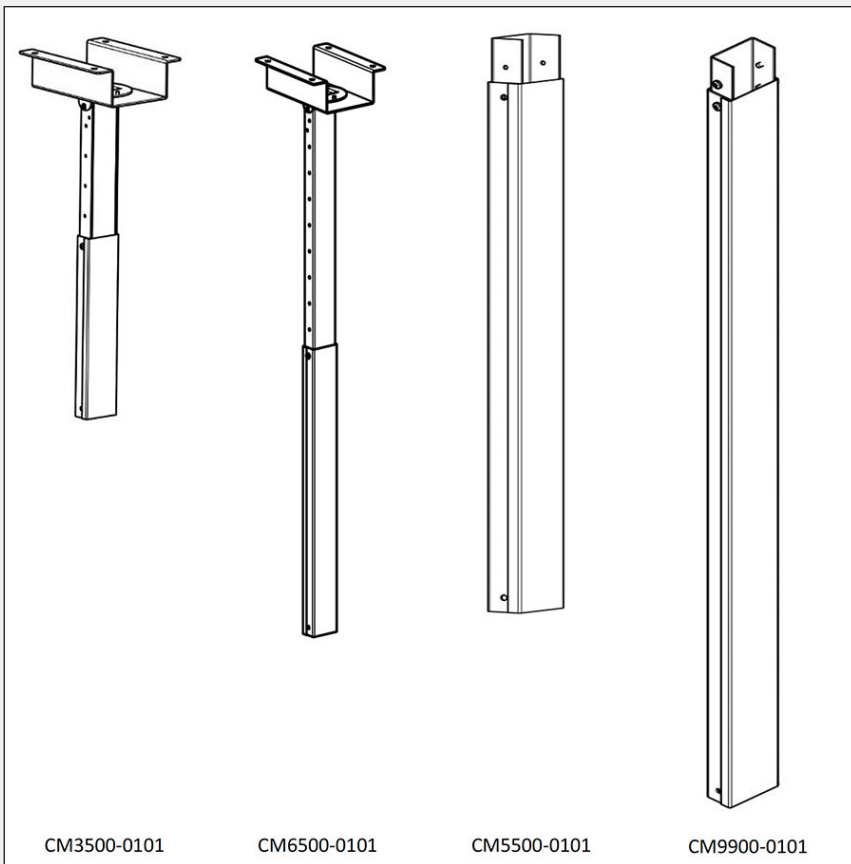


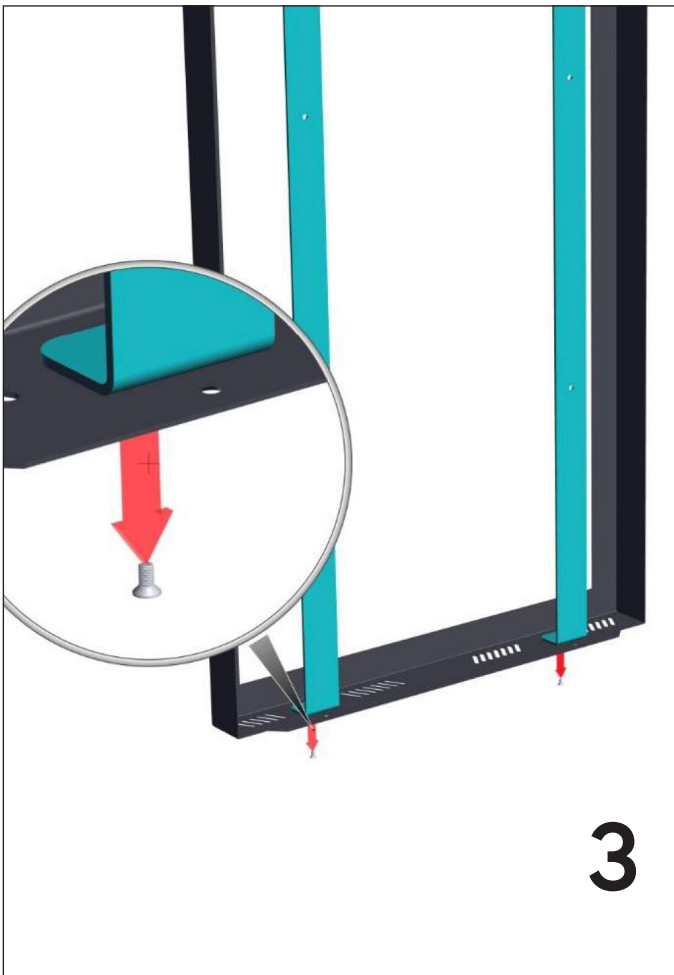
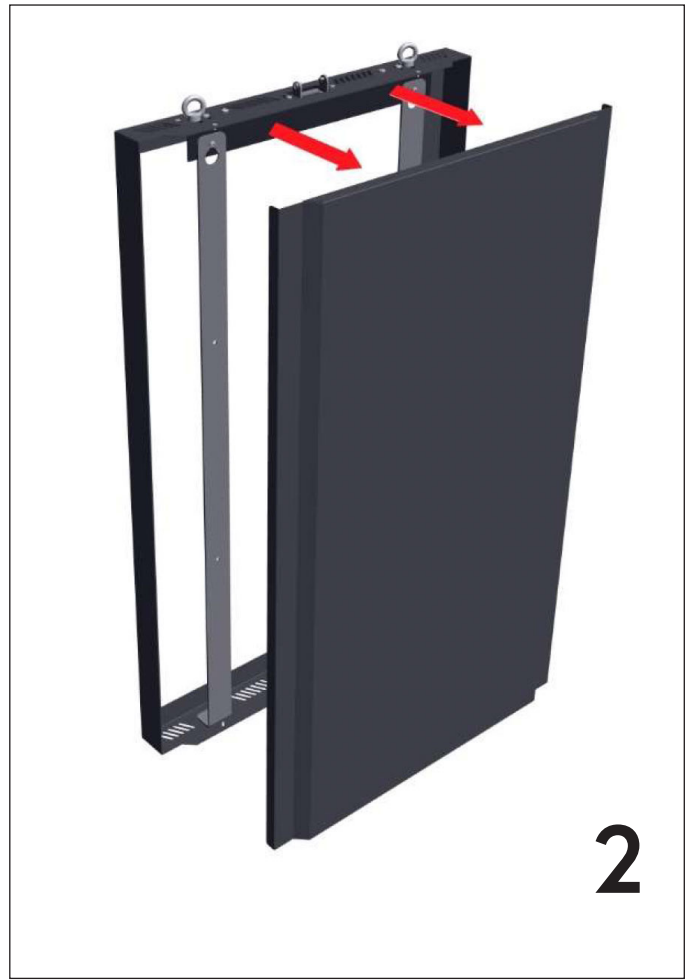
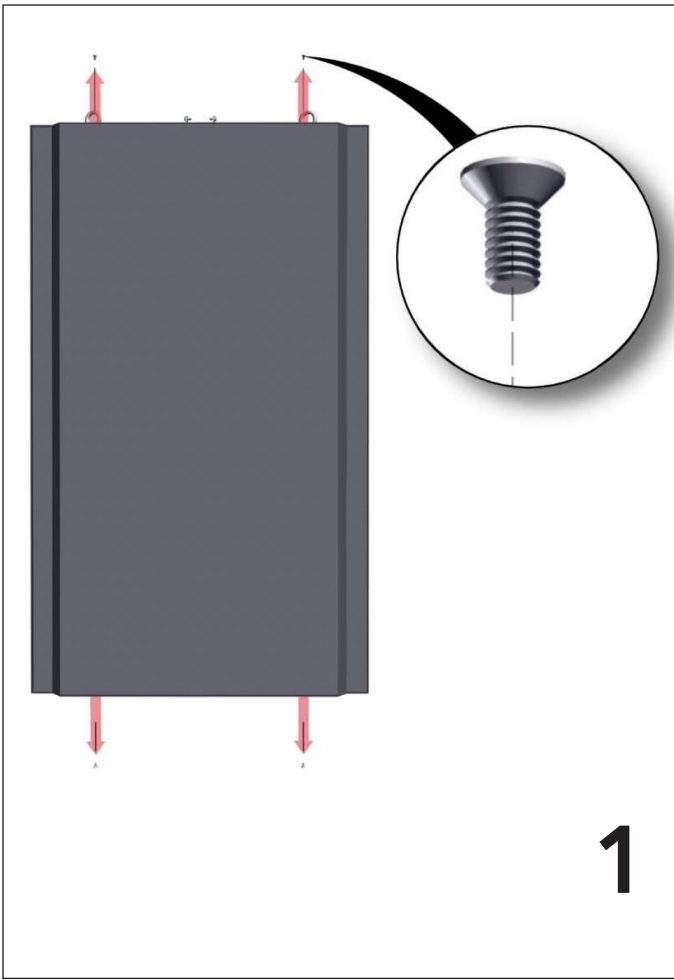
# Ceiling casing - store window

Product nr: CC4615-5001

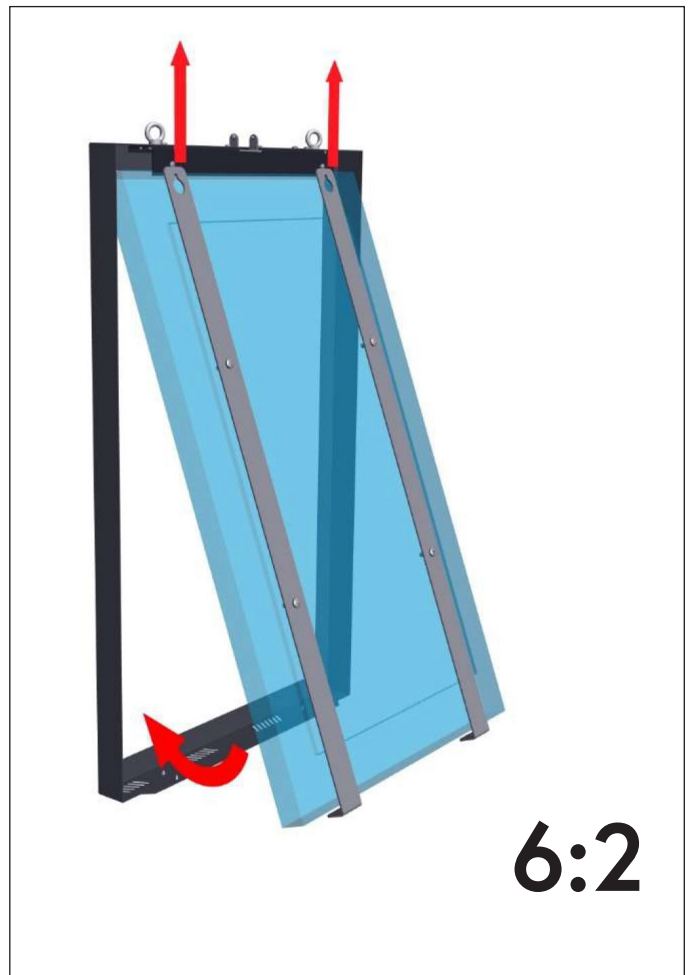
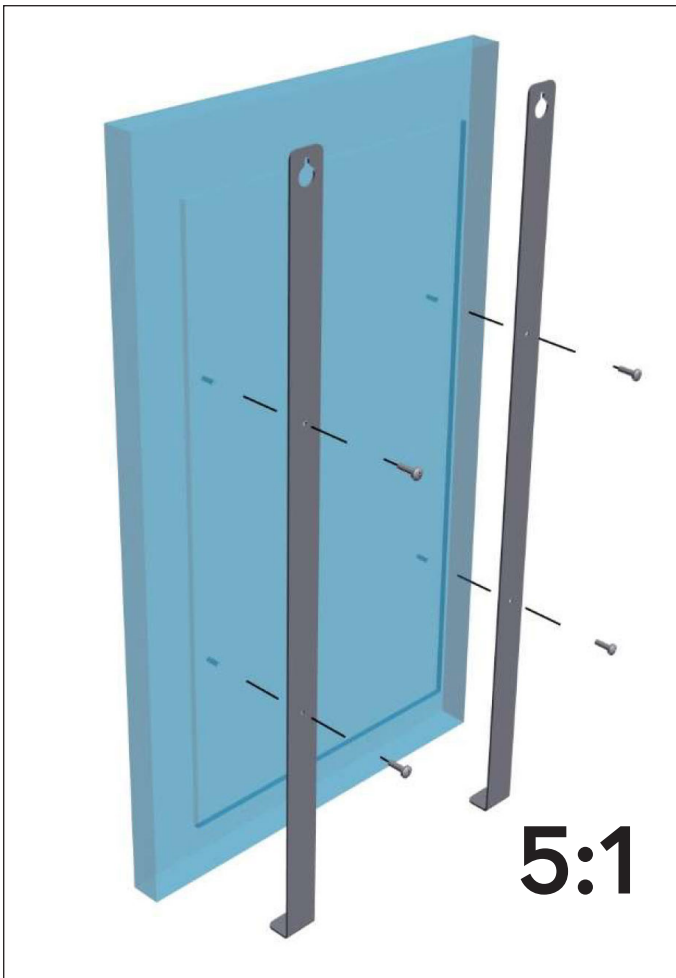


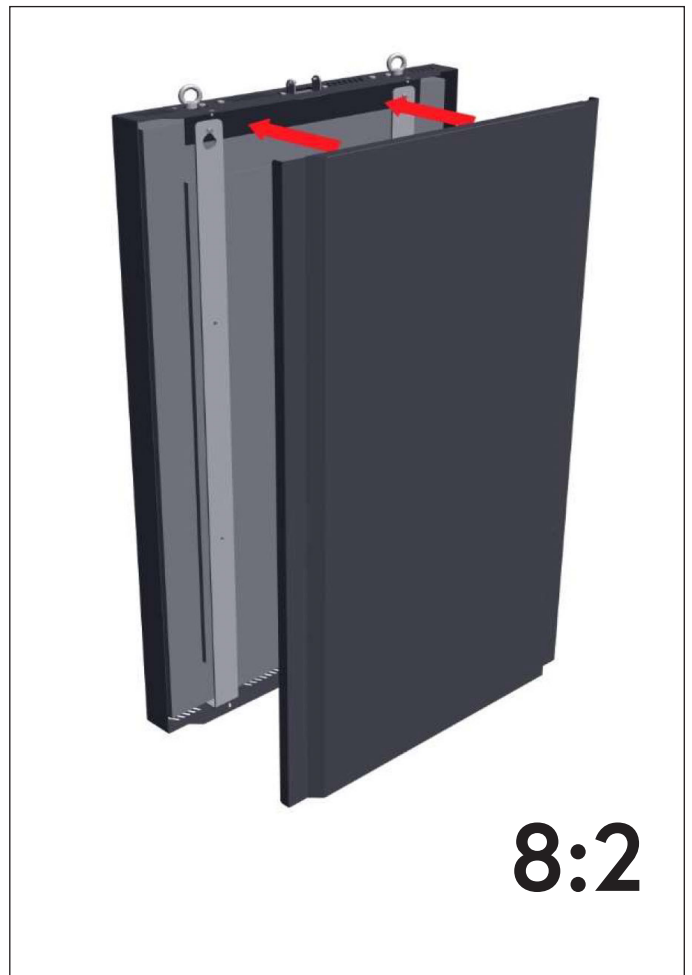
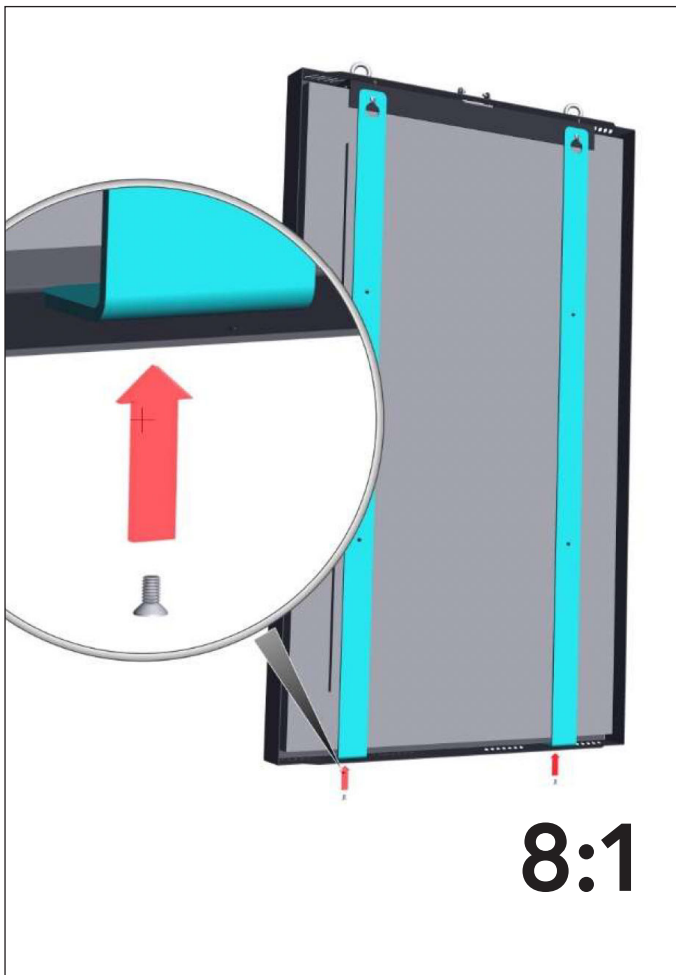
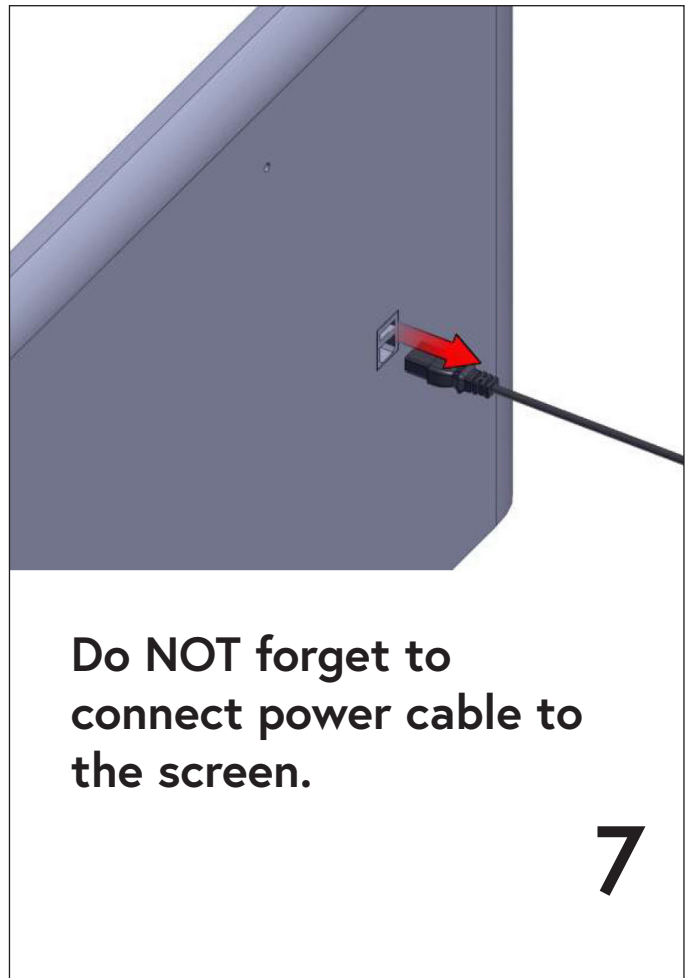
## Other compatible products (NOT included)

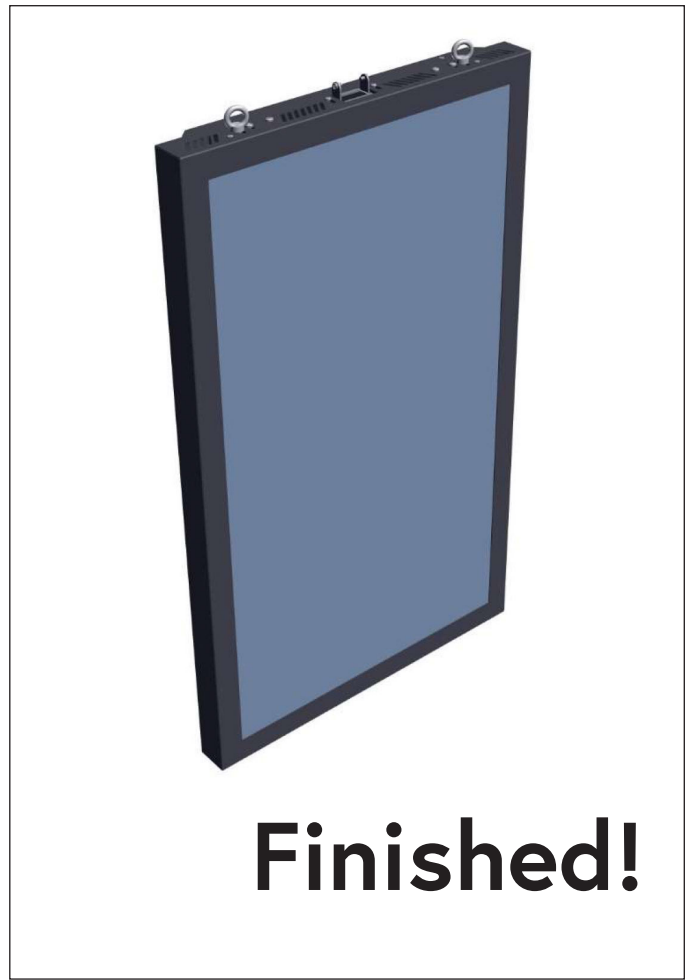
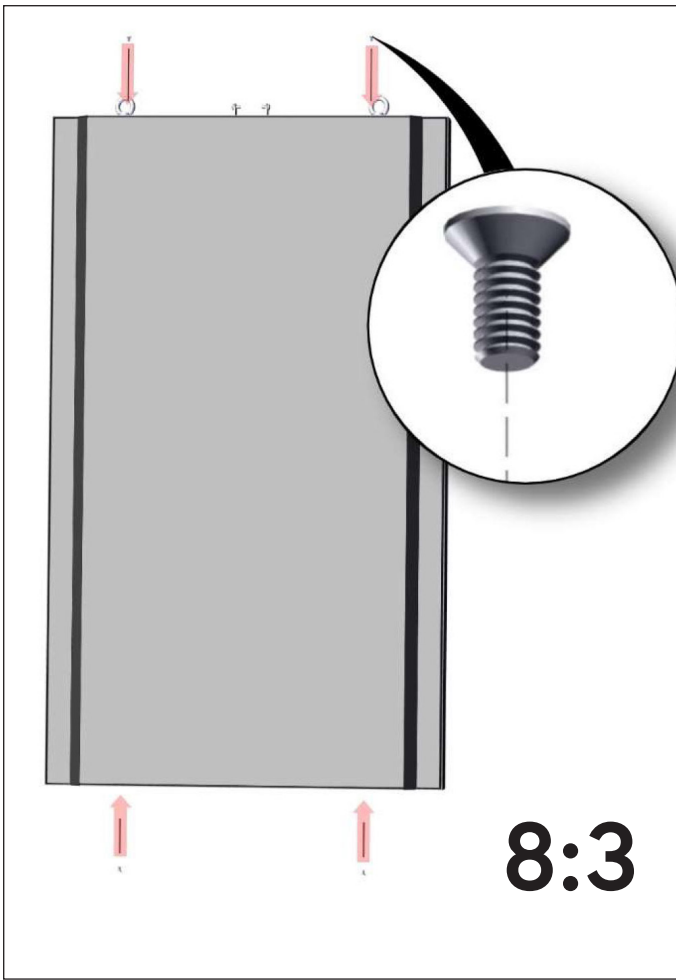










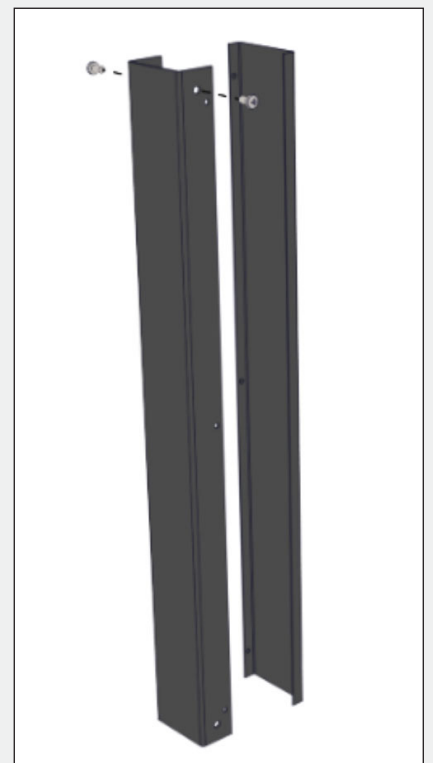
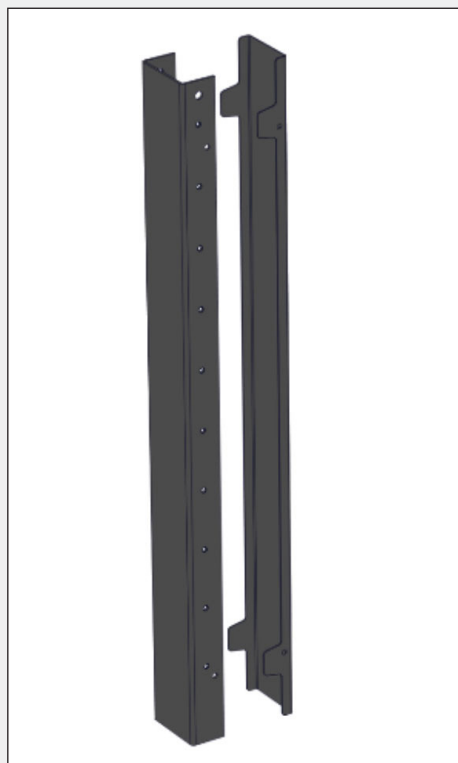
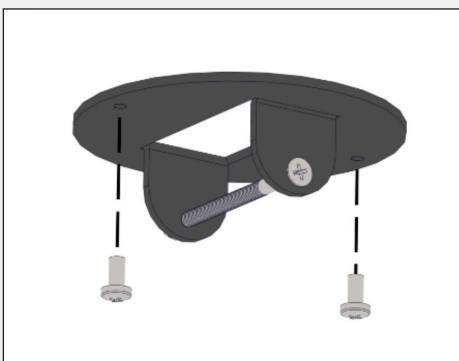
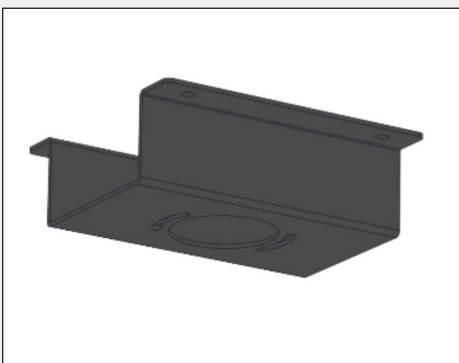


# Ceiling Mount Telescope

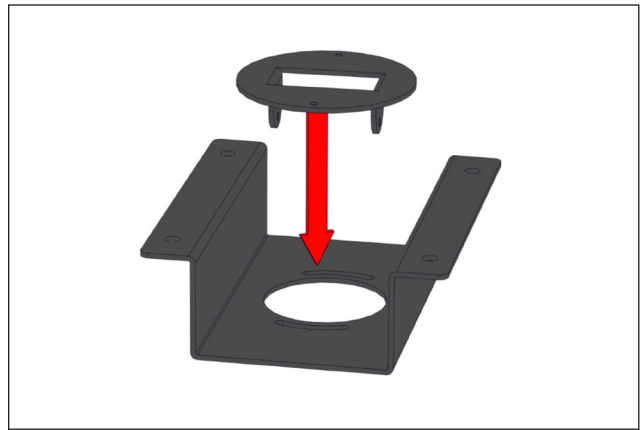
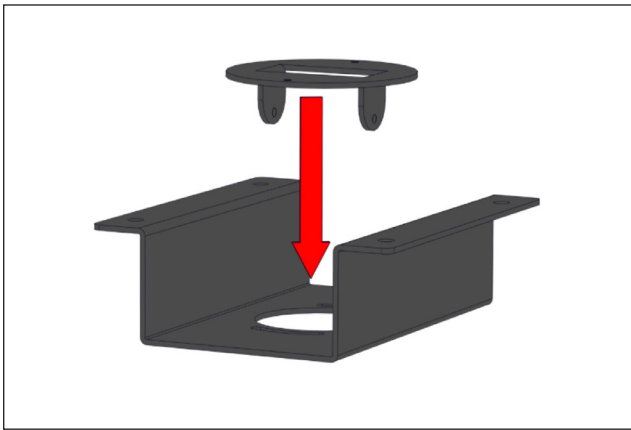
Product nr: CM6500-0101  
CM3500-0101



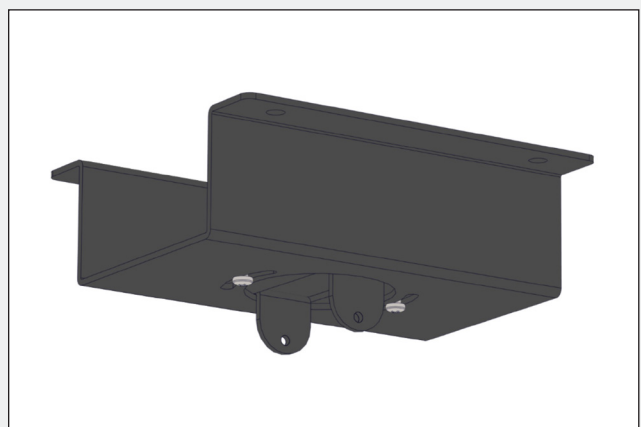
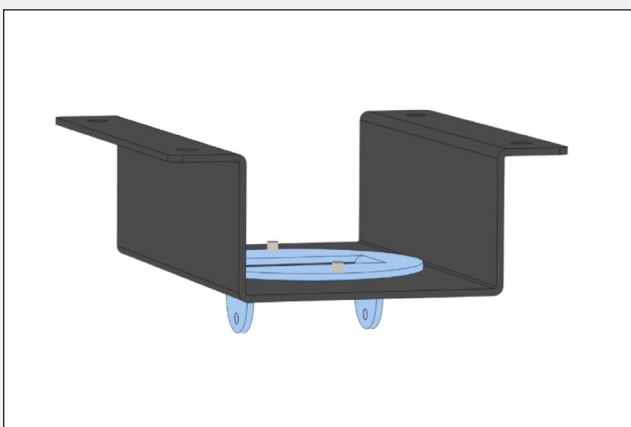
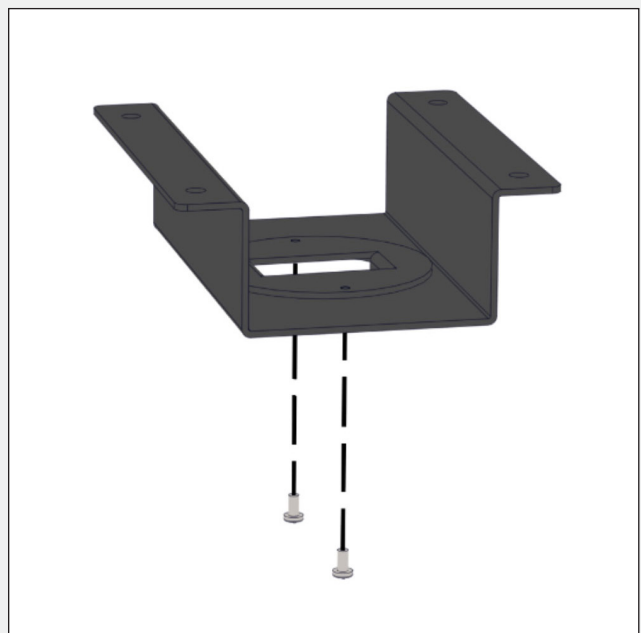
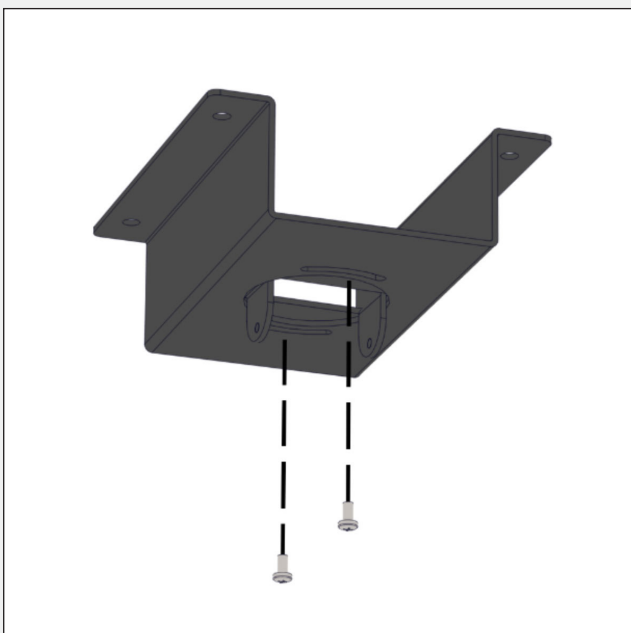
## List of parts:



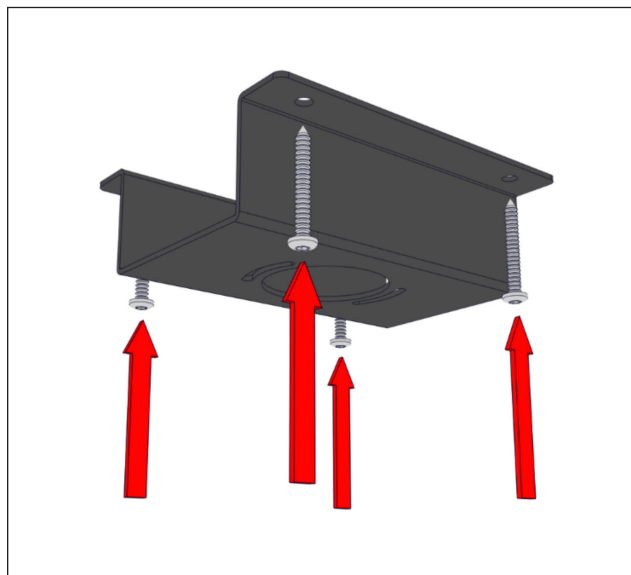
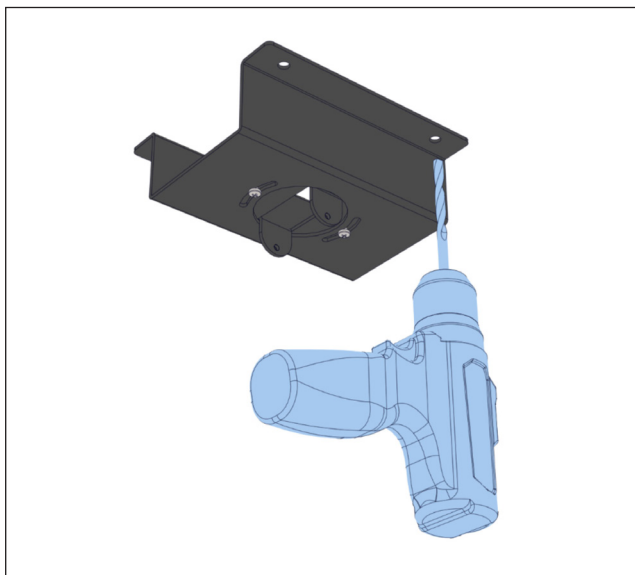
1. Attach the ceiling mount as shown in the picture. The telescope pipe can now be rotated.



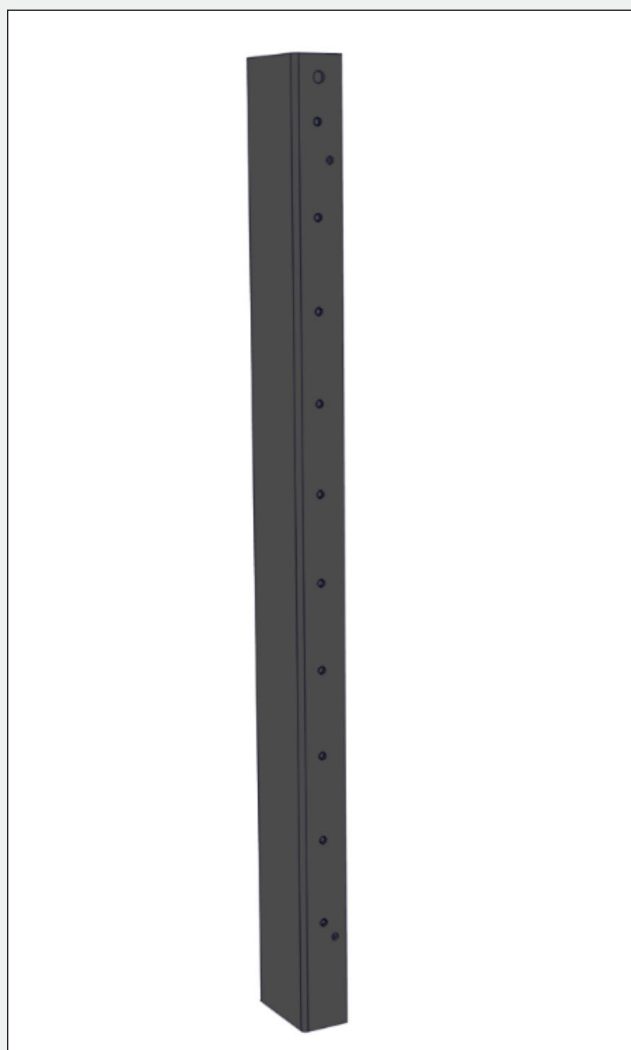
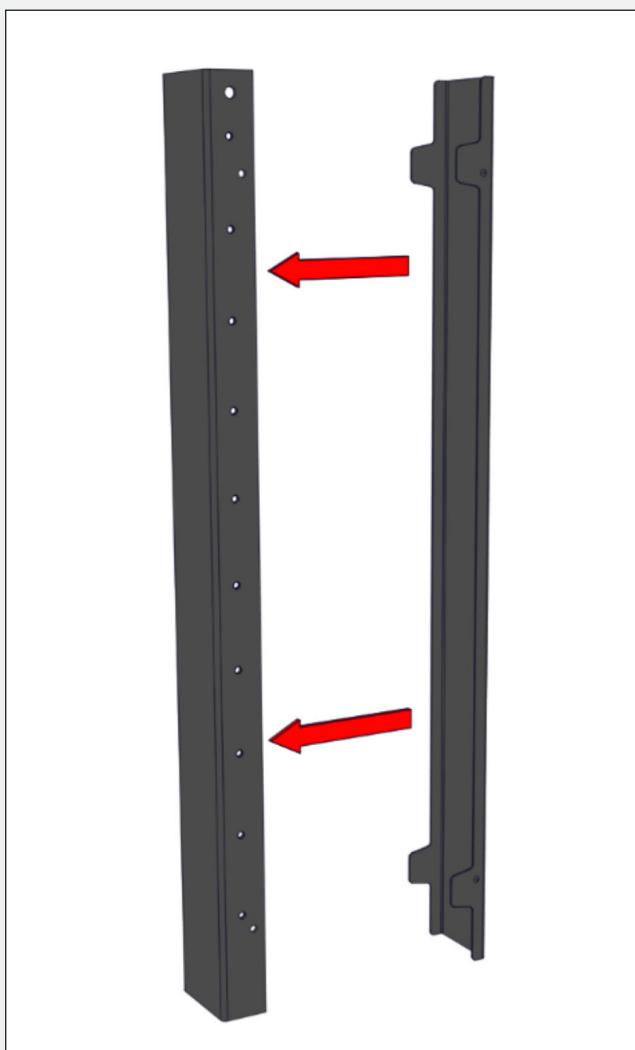
2. Use the two (2) screws to connect the inner plate



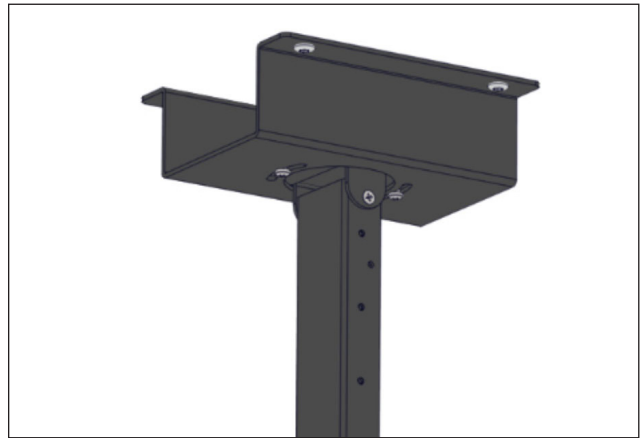
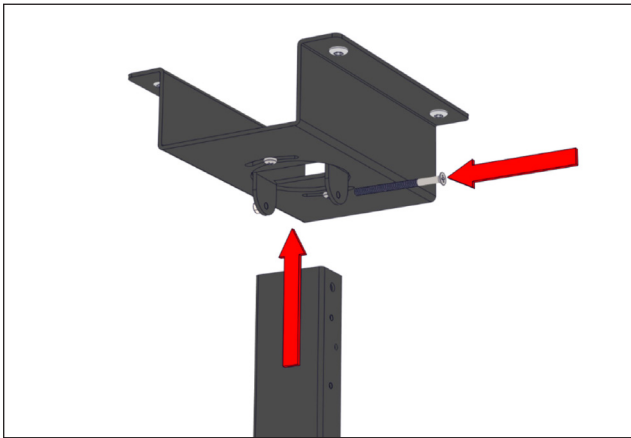
### 3. Drill holes to connect the ceiling mount.



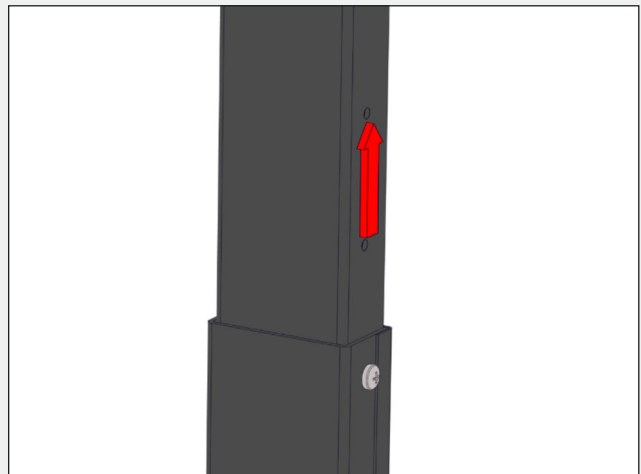
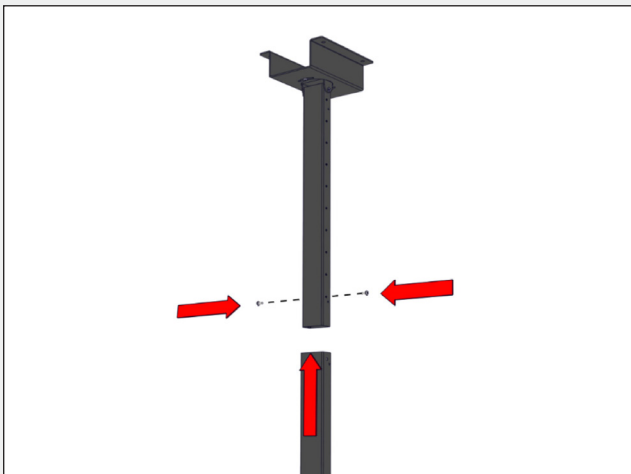
### 4. The telescope has a lock that can be opened for cable management.



5. Connect the telescope pipe to the ceiling mount.



6. The telescope pipe can now be adjusted. Adjustment steps of 50mm.



7. The telescope pipe has a lock that can be opened for cable management.

